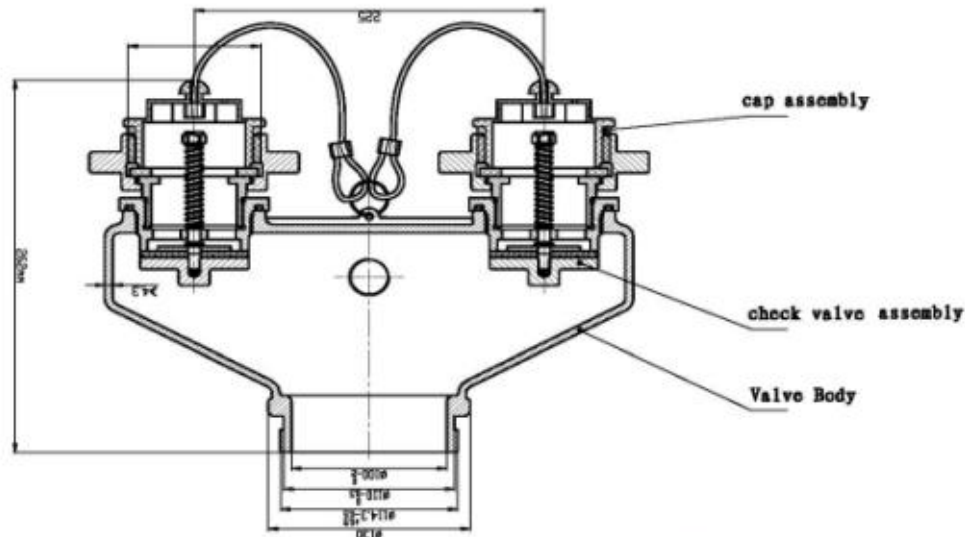


# STAINLESS STEEL BOOSTER HEAD

Premium Quality. Supreme Strength & Corrosion Resistance

Complies with AS/NZS 2419.3



102557

**FIREPLUMB SUPPLIES PTY LTD**

1800 377 753

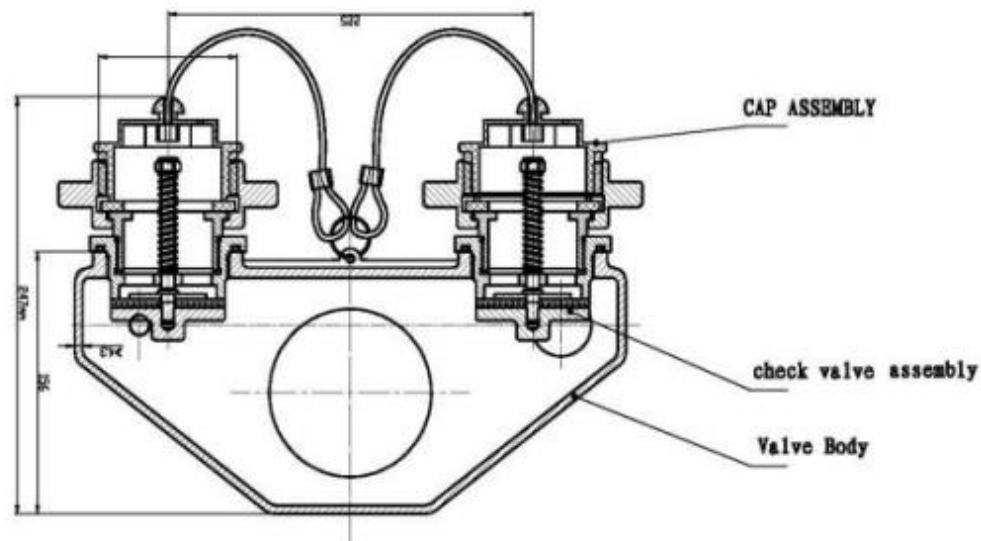
NTH BRISBANE \* STH BRISBANE

GOLD COAST \* FABRICATION \* SHEET METAL

Stock Code	Thread Type	Outlet Type	Weight
ISP-HBVR-BIC	BIC	DN100 Roll Grooved	10.0 kg
ISP-HBVR-SART	SART	DN100 Roll Grooved	10.0 kg
ISP-HBVR-QRT	QRT	DN100 Roll Grooved	10.0 kg
ISP-HBVR-CFA	CFA	DN100 Roll Grooved	10.0 kg
ISP-HBVR-NSW	NSW	DN100 Roll Grooved	10.0 kg
ISP-HBVR-MFB	MFB	DN100 Roll Grooved	10.0 kg
ISP-HBVR-BSP	BSP	DN100 Roll Grooved	10.0 kg
ISP-HBVR-STORZ	STORZ	DN100 Roll Grooved	10.0 kg
Material - Body		Stainless Steel Grade 304	
valve clack		Stainless Steel Grade 304	
valve pole		Stainless Steel Grade 304	
- O-ring		NBR Rubber	
- Dust Cap		U-V Stabilized Plastic	
Working Pressure		2100 kPa	
Test Pressure		3150 kPa	
Working Temperature		-10°C ~ 85°C	
Standard Approval		AS 2419.3	
Licence No.		102557	

# STAINLESS STEEL BOOSTER HEAD

Premium Quality. Supreme Strength & Corrosion Resistance  
Complies with AS/NZS 2419.3



102557

Stock Code	Thread Type	Outlet Type	Weight
ISP-HBVB-BIC	BIC	DN100 Roll Grooved	10.0 kg
ISP-HBVB-SART	SART	DN100 Roll Grooved	10.0 kg
ISP-HBVB-QRT	QRT	DN100 Roll Grooved	10.0 kg
ISP-HBVB-CFA	CFA	DN100 Roll Grooved	10.0 kg
ISP-HBVB-NSW	NSW	DN100 Roll Grooved	10.0 kg
ISP-HBVB-MFB	MFB	DN100 Roll Grooved	10.0 kg
ISP-HBVB-BSP	BSP	DN100 Roll Grooved	10.0 kg
ISP-HBVB-STORZ	STORZ	DN100 Roll Grooved	10.0 kg
Material - Body	Stainless Steel Grade 304		
valve clack	Stainless Steel Grade 304		
valve pole	Stainless Steel Grade 304		
- O-ring	NBR Rubber		
- Dust Cap	U-V Stabilized Plastic		
Working Pressure	21 PN		
Test Pressure	4200 kPa		
Working Temperature	-10°C ~ 85°C		
Standard Approval	AS 2419.3		
Licence No.	102557		

**FIREPLUMB SUPPLIES PTY LTD**

1800 377 753

NTH BRISBANE \* STH BRISBANE

GOLD COAST \* FABRICATION \* SHEET METAL