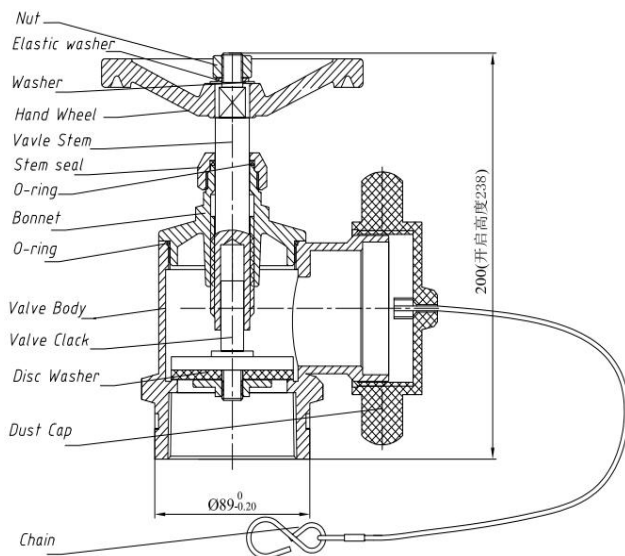


BRASS HYDRANT VALVES

Premium Quality. Supreme Strength & Corrosion Resistance

Complies with AS/NZS 2419.2



	Thread Type	Inlet Type	Weight
CODE: .18-0037	65mm NSW Male	65mm Male BSP	4.25 kg
CODE: .18-0100	65mm NSW Male	80mm Roll Grooved	4.25 kg
CODE: .18-0004	65mm QRT Male	65mm Male BSP	4.27 kg
CODE: .18-0002	65mm QRT Male	80mm Roll Grooved	4.27 kg
CODE: .18-0070	65mm CFA Male	80mm Roll Grooved	4.35 kg
CODE: .18-0090	65mm BI	80mm Roll Grooved	5.60 kg
Material - Body	Tin bronze Grade C83600		
- Bonnet	Tin bronze C83600		
- Stem	Brass Grade DR 48600		
- Hand Wheel	C Steel NBR		
- O-ring	Rubber NBR		
- Seal (Disc Washer)	Rubber		
- Dust Cap	U-V Stabilized Plastic		
Working Pressure	1,400 kPa		
Test Pressure	2700 kPa		
Working Temperature	-10°C ~ 85°C		
Standard Approval	AS 2419.2		
WaterMark Cert. No.	WMKA21674		

Distributed by: