

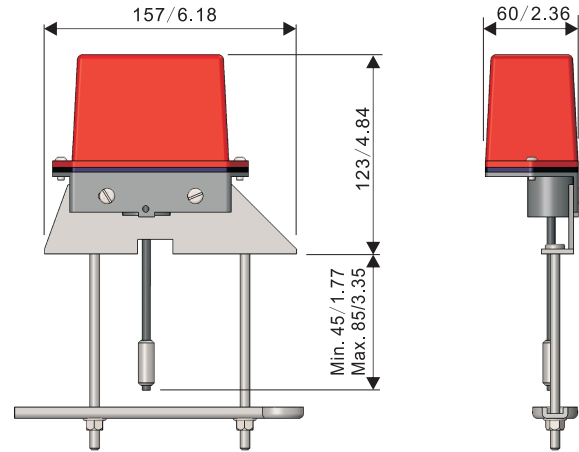
Supervisory Switch for OS&Y Gate Valves

FIG. WOSY-1 / WOSY-2 / WOSY-3

Features

- Weight: 0.6 kg.
- Enclosure:
 - Cover: Die cast, Aluminum Alloy, ASTM B85 A04130. Finish: Red powder coat.
 - Base: Die cast, Aluminum Alloy, ASTM B85 A04130. All parts have corrosion resistant finishes.
- Cover Tamper:
 - Tamper resistant screws.
 - Cover tamper switch available.
 - 3 AMPS / 5 AMPS at 125/250 VAC.
- Contact Ratings:
 - WOSY-1: one set of SPDT.
 - WOSY-2: two sets of SPDT.
 - WOSY-3: two sets of SPDT and cover tamper switch.
 - 10 AMPS at 125/250 VAC.
 - 2.5 AMPS at 30 VDC resistive.
- Conduit Entrances:
 - One knockouts and one hole for ½" conduit provided.
- Service Use: NFPA 13, 13D, 13R, 72.
- IP 67.

Schematic & Dimensions (mm / Inch)



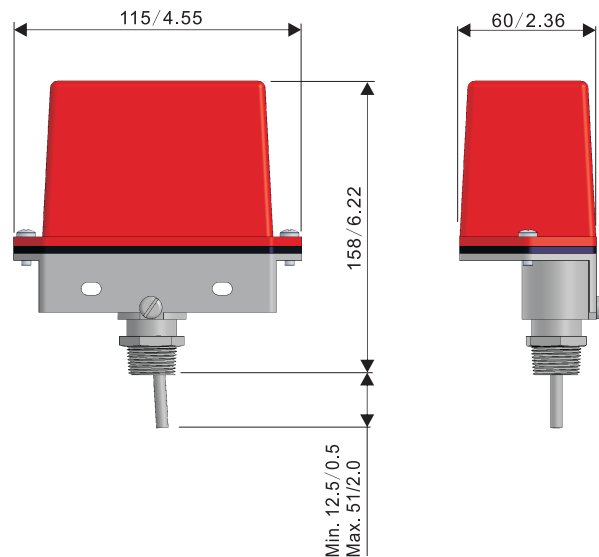
Supervisory Switch for Indicator Post and Stop Valves

FIG. WIP-1 / WIP-2 / WIP-3

Features

- Weight: 0.45 kg.
- Enclosure:
 - Cover: Die cast, Aluminum Alloy, ASTM B85 A04130. Finish: Red powder coat.
 - Base: Die cast, Aluminum Alloy, ASTM B85 A04130. All parts have corrosion resistant finishes.
- Cover tamper:
 - Tamper resistant screws.
 - Cover tamper switch available.
 - 3 AMPS / 5 AMPS at 125/250 VAC.
- Contact Ratings:
 - WIP-1: one set of SPDT.
 - WIP-2: two sets of SPDT.
 - WIP-3: two sets of SPDT and cover tamper switch.
 - 10 AMPS at 125/250 VAC.
 - 2.5 AMPS at 30 VDC resistive.
- Conduit Entrances:
 - One knockouts and one hole for ½" conduit provided.
- IP 67.

Schematic & Dimensions (mm / Inch)



Notes

• Designs, materials and specifications shown are subject to change without notice due to the continuous development of our products.