



**Product Documentation**  
FLEXONE Flexible Sprinkler Hose with Fittings  
Model: FLEXONE Bracket System

## FLEXONE Sprinkler Hose Fittings (Bracket System)

### 1. FLEXONE Center Bracket (Reducer Support Brackets)

#### 1) Open Gate Type Center Brackets:

Type	PN	Applicable Hoses
SF-BOG-CL	FLEXONE SF-BOG-CL1	FLEXONE 25/27/29/32 / FLEXONE-S 25/27/29/32
	FLEXONE SF-BOG-CL2	FLEXONE 25/27/29/32 / FLEXONE-S 25/27/29/32
SF-BOG-MF	FLEXONE SF-BOG-MF1	FLEXONE 25/27/29/32 / FLEXONE-S 25/27/29/32
	FLEXONE SF-BOG-MF2	FLEXONE 25/27/29/32 / FLEXONE-S 25/27/29/32
SF-BOG-MFS	FLEXONE SF-BOG-MF1S	FLEXONE 25/27/29/32 / FLEXONE-S 25/27/29/32
	FLEXONE SF-BOG-MF2S	FLEXONE 25/27/29/32 / FLEXONE-S 25/27/29/32

#### 2) Model Designations:

Marking	Description
FLEXONE	Brand for Flexible Sprinkler Hose With Fittings
SF	Sprinkler Hose Fittings
BOG	Bracket, Open Gate Type
CL1	Clasp Lock, Type 1 (Spring Plate)
CL2	Clasp Lock, Type 2 (Spring Wire)
MF1	Multi-Function, Type 1 (Spring Plate)
MF2	Multi-Function, Type 1 (Spring Wire)
MF1S	Multi-Function, Type 1, Special (Spring Plate)
MF2S	Multi-Function, Type 1, Special (Spring Wire)

### 2. Bracket Features

#### Clasp Lock Type Center Bracket

Applications: Commercial Suspended Ceilings (T-Grid / Stud / Wood Beam / Hat Channel etc.)

**SF-BOG-CL2**  
Material: SPHC



#### Multi-Function Type, Special (Clasp Lock Base)

Applications: Commercial Suspended Ceilings (T-Grid / Stud / Wood Beam / Hat Channel etc.)

M10 Threaded Rods  
Institutional Mountings  
Steel Gypsum Panels  
Adjustable Height through Mounting Plate Assembly

**SF-BOG-MF1S**  
Material: SPHC




**Product Documentation**

 FLEXONE Flexible Sprinkler Hose with Fittings  
 Model: FLEXONE Bracket System

**4) Accessories for SF-BOG-MFS Brackets**
**(1) Mounting Plate Assembly (FLEXONE SF-MPXXX) for Adjustable Height Use**

Material: SPHC / Square Bar: SPCC

**FLEXONE SF-MPXXX: Mounting Plate (SF-MP) + Square Bar (SF-SBXXX)**
**SF-MP**

Material: SPHC


**SF-MP1000**

Material: SPCC



PN	Composition
SF-MP700	SF-MP + SF-SB700
SF-MP1000	SF-MP + SF-SB1000
SF-MP1300	SF-MP + SF-SB1300
SF-MP1600	SF-MP + SF-SB1600
SF-MP2000	SF-MP + SF-SB2000

**SF-BOG-MFS-MP: Center Bracket (SF-BOG-MFS) + Mounting Plate (SF-MP) + Square Bar (SF-SBXXX)**


SF-BOG-MFS-MP

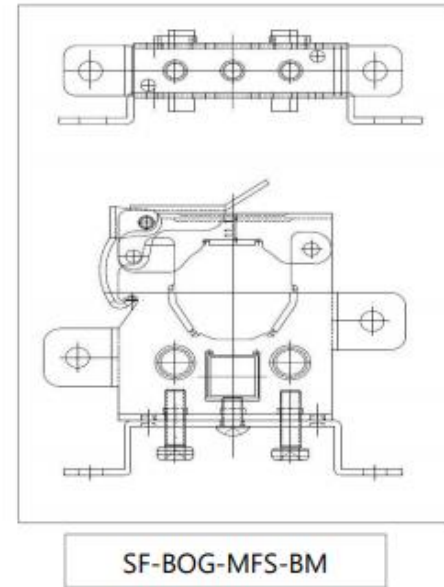
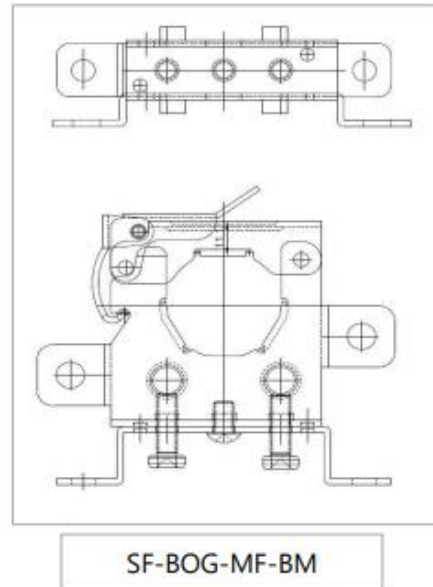
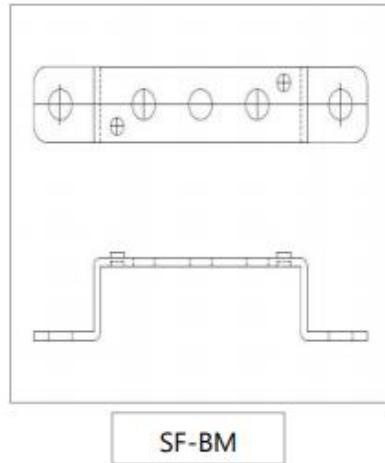

 SF-BOG-MFS-MP with  
 Elbow Reducer



**Product Documentation**  
 FLEXONE Flexible Sprinkler Hose with Fittings  
 Model: FLEXONE Bracket System

**(2) Bracket Mount (FLEXONE SF-BM) for Stand-Off Mounting**  
 Material: SPHC

**SF-BOG-MF-BM / SF-BOG-MFS-BM: Center Brackets (SF-BOG-MF or SF-BOG-MFS) + Bracket Mount (SF-BM)**

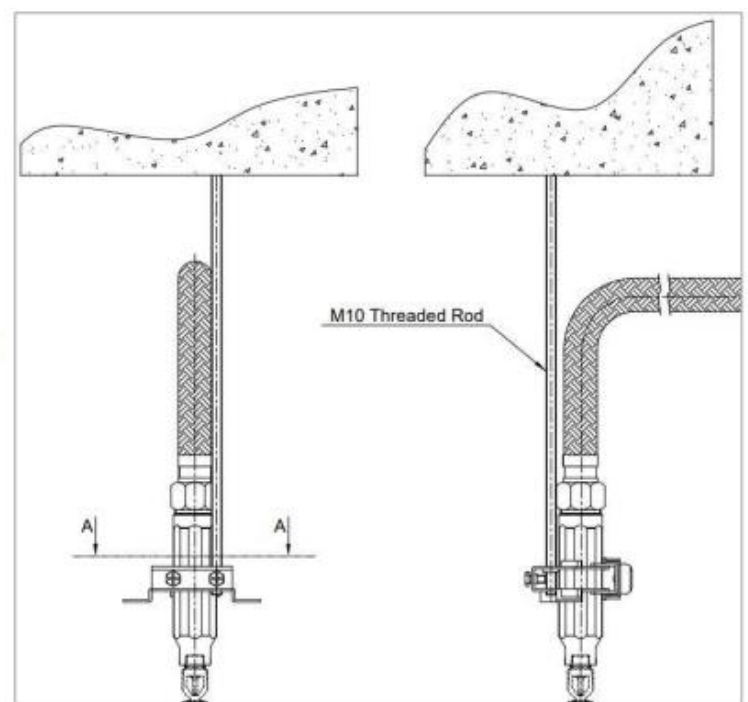


**3. Various Installation Examples**

**1) Commercial Suspended Ceilings (Applicable Bracket: SF-BOG-CL / SF-BOG-MF / SF-BOG-MFS)**



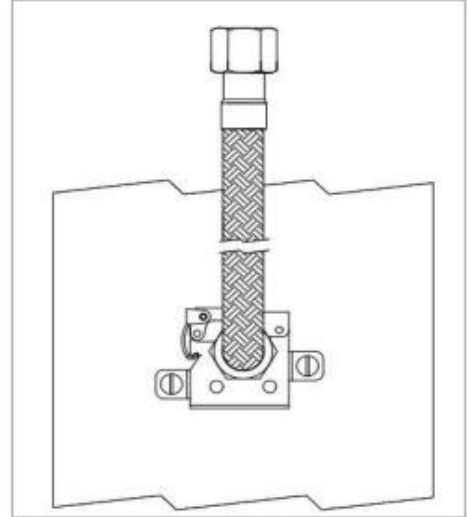
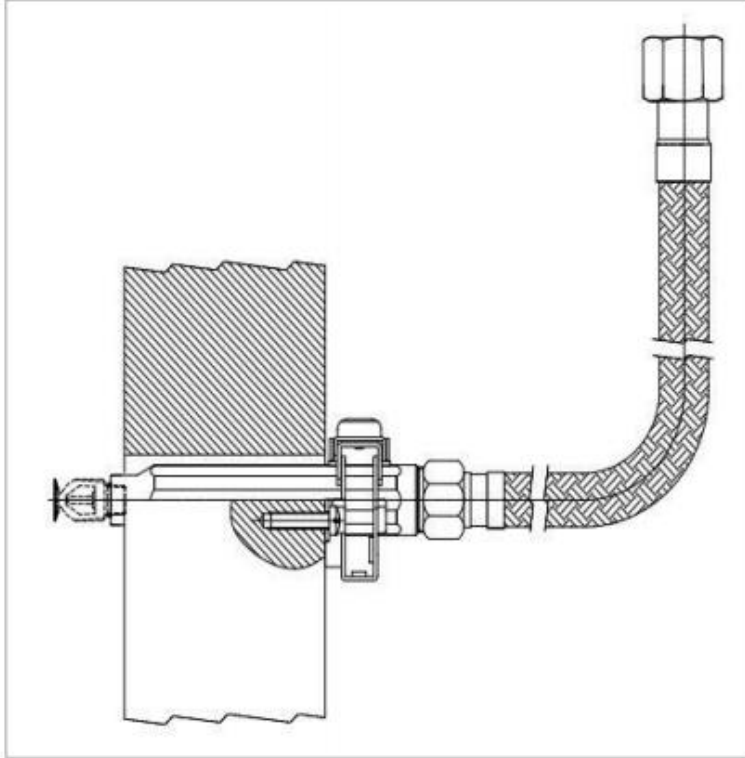
**2) M10 Threaded Rods**  
 (Applicable Brackets: SF-BOG-MF / SF-BOG-MFS)





**Product Documentation**  
FLEXONE Flexible Sprinkler Hose with Fittings  
Model: FLEXONE Bracket System

**3) Institutional Mountings & Steel Gypsum Panels (Applicable Brackets: SF-BOG-MF / SF-BOG-MFS)**



**4) Adjustable Height Use (Applicable Bracket: SF-BOG-MFS)**

