

WORK SMARTER... NOT HARDER!

WAFER CHECK VALVE

UL & FM APPROVED

ANSI & BS & DIN - DOUBLE DOOR



UL & FM APPROVED



1.0 PRODUCT OVERVIEW

The check valve is a one-way check valve. When the medium is flowing forward, the valve flap is opened under the pressure of the fluid; when the medium flows in the opposite direction, the valve flap is closed under the spring force and the reverse fluid pressure. Cut the channel to prevent backflow

Type: DH77XSR **Doc No:** DS-901-DH77XSR-01-E-X

Dimensions:

2"(DN50)-16"(DN400)

Design Standard:

API 594, JB/T 8937

Connection Standard:

ASME B16.42 CLASS 150, AS 2129 TABLE E, BS EN1092-2 PN10/16/25, JIS B221210K, BS10 TABLE D/E

Working Pressure:

300PSI, 250PSI, 200PSI

Application:

Double Door Wafer Check Valve operating temperature range is 0°C-80°C

Pipe Material:

Flange valves or flanged pipe fittings such as ductile iron, grey iron, and cast steel.

Surface Treatment:

Epoxy power painting (colour numbers as RAL3000, RAL3001, RAL3016,etc)

2.0 APPROVALS



NSF/ANSI 61 NSF/ANSI 372

BRISBANE STH

31 LENSWORTH ST
COOPERS PLAINS
T: 07 3064 1046

BRISBANE NTH

90 NORTHLINK PLACE
VIRGINIA
T: 07 3865 7554

GOLD COAST

9 ENERGY CRESENT
MOLENDINAR
T: 07 5603 3712

SHEET METAL

ACACIA RIDGE
T: 07 3064 1046

FABRICATION

COOPERS PLAINS
T: 07 3064 1046

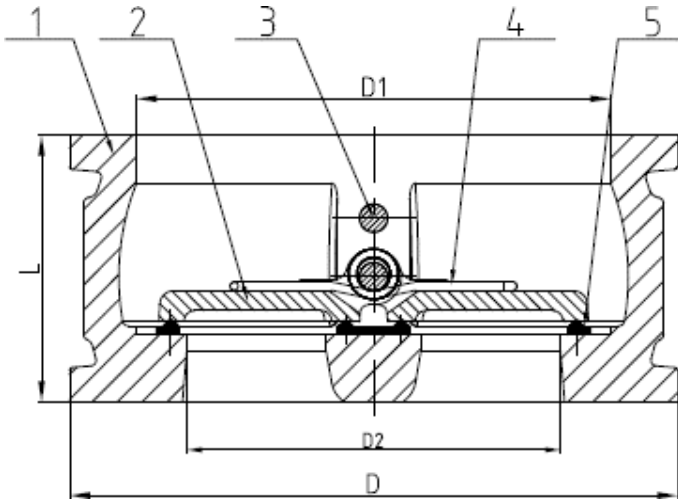
WORK SMARTER... NOT HARDER!

WAFER CHECK VALVE

UL & FM APPROVED



4.0 MEASUREMENTS



No.	Part	Material	Optional
1	Valve Body	ASTM A536 65-45-12	
2	Disc	AISI 316	AISI 304/C95400/ ASTM A536 65-45-12
3	Washer	PTFE	
4	Stem	AISI 420	AISI 304/ AISI 316/ AISI 416
5	Rubber Seat	EPDM	NBR

DN		Dimensions			
inch	MM	L	D	D1	D2
2"	50	54	106	68	46
2 1/2"	65	60	127	78	60
3"	80	57	134	102	70
4"	100	67	162	117	84
5"	125	83	194	145	115
6"	150	95	218	170	134
8"	200	127	276.8	226	184

BRISBANE STH

31 LENSWORTH ST
COOPERS PLAINS
T: 07 3064 1046

BRISBANE NTH

90 NORTHLINK PLACE
VIRGINIA
T: 07 3865 7554

GOLD COAST

9 ENERGY CRESENT
MOLENDINAR
T: 07 5603 3712

SHEET METAL

ACACIA RIDGE
T: 07 3064 1046

FABRICATION

COOPERS PLAINS
T: 07 3064 1046

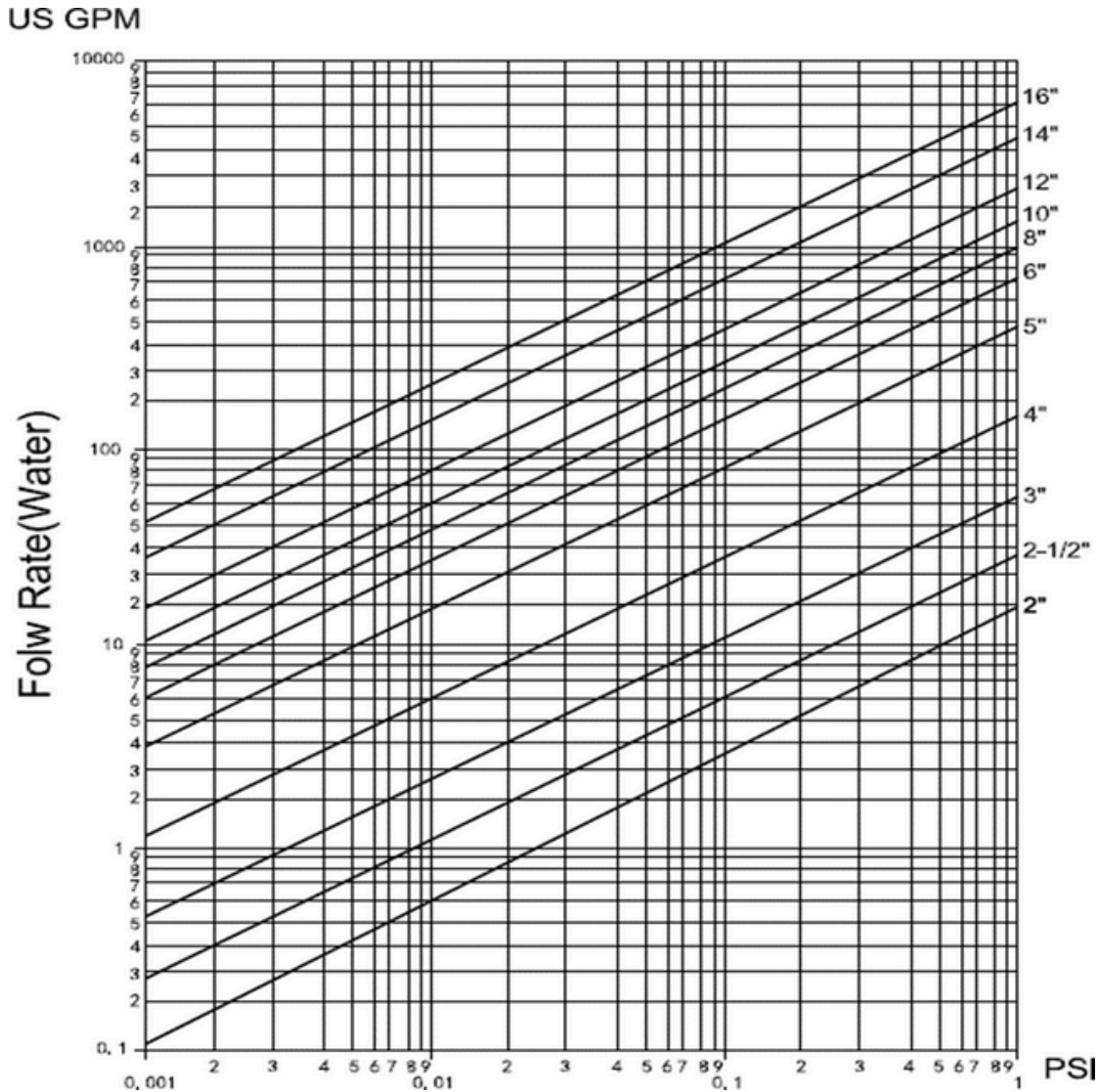
WORK SMARTER... NOT HARDER!

WAFER CHECK VALVE

UL & FM APPROVED



5.0 FLOW RATES



Strength

1. Nominal pressure 300PSI, Shell experiment (water) 450PSI, sealing experiment (water) 300PSI.
2. Working environment 1 Maximum working temperature 80 ° C, use medium water.

BRISBANE STH

31 LENS WORTH ST
COOPERS PLAINS
T: 07 3064 1046

BRISBANE NTH

90 NORTH LINK PLACE
VIRGINIA
T: 07 3865 7554

GOLD COAST

9 ENERGY CRESENT
MOLENDINAR
T: 07 5603 3712

SHEET METAL

ACACIA RIDGE
T: 07 3064 1046

FABRICATION

COOPERS PLAINS
T: 07 3064 1046