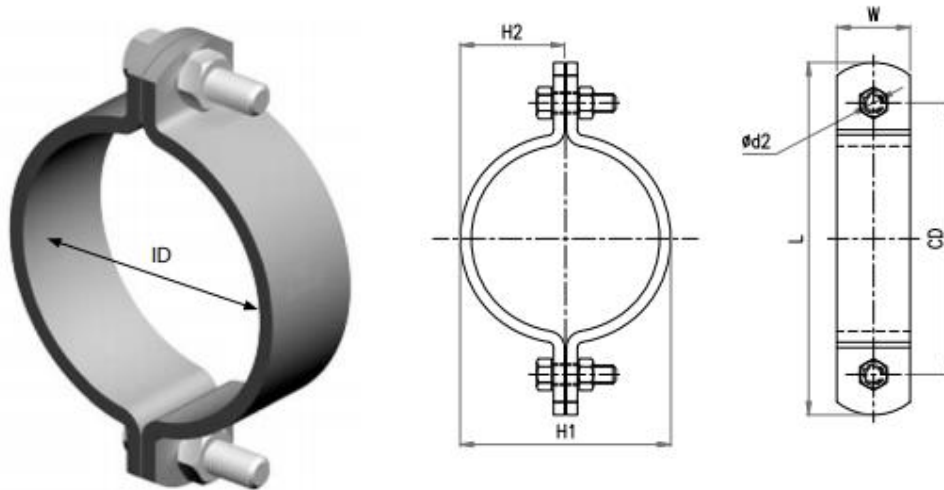


PIPE SUPPORTS

DOUBLE SADDLE CLAMP (MEDIUM DUTY)



PIPE SIZE	INTERNAL DIMENSION	DIMENSION	ROD DIMENSION	BOXED QTY
40NB	48	40 x 6	M12 x 45	10
50CU	51	40 x 6	M12 x 45	10
50NB	60	40 x 6	M12 x 45	10
65CU	64	40 x 6	M12 x 45	10
65NB	73	40 x 6	M12 x 45	10
80CU	76	40 x 6	M12 x 45	10
83NS	83	40 x 6	M12 x 45	10
80NB	89	40 x 6	M12 x 45	10
100CU	102	40 x 6	M12 x 45	10
100NB	115	40 x 6	M12 x 45	10
125CU	127	40 x 6	M12 x 45	5
125NB	140	40 x 6	M12 x 45	5
152CU	152	40 x 6	M12 x 45	5
150NB	168	40 x 6	M12 x 45	5
175NS	175	40 x 6	M12 x 45	5
190NS	190	40 x 6	M12 x 45	5
200CU	203	40 x 6	M12 x 45	5
200NB	220	40 x 6	M12 x 45	5
228NS	228	40 x 6	M12 x 45	5
240NS	240	40 x 6	M12 x 45	5
250CU	252	40 x 6	M12 x 45	5
250NB	275	40 x 6	M12 x 45	5
300CU	304	40 x 6	M12 x 45	5
315NS	315	40 x 6	M12 x 45	5
300NB	324	40 x 6	M12 x 45	5